

LIMPAR®



Ersatzteilliste

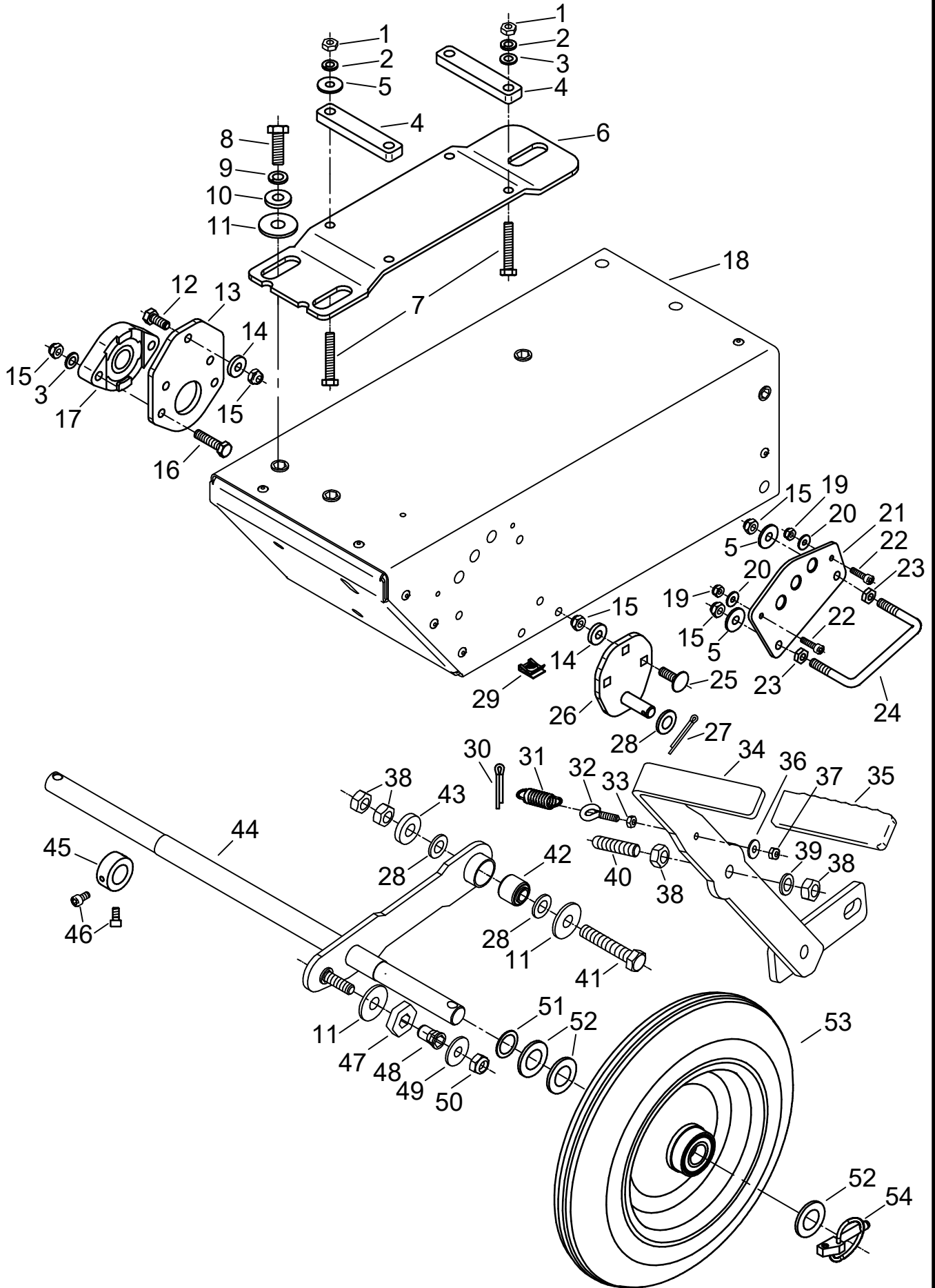
Wildkrautbürste

TAIFUN

4F Maschinenteknik GmbH / Am Gasspeicher 6 / 49453 Rehden
Fon: 05446 / 99 70 40, Fax: 05446 / 99 70 42, E-Mail: info@4-f.de

4KM-WH-A1 Änd.-Stand: b

www.limpar.de



| Pos. | Artikel-Nr. | Bezeichnung | Pos. | Artikel-Nr. | Bezeichnung |
|------|-------------|----------------------|--------------------------------|-------------|----------------------|
| 1 | 4HR-A08 Z | Mutter M8 | 38 | 4HR-A12 Z | Mutter M12 |
| 2 | 4HW-F08 Z | Federring M8 | 39 | 4HW-F12 Z | Federring M12 |
| 3 | 4HW-A08 Z | Scheibe Ø8,4 | 40 | 4KC-B104 Z | Rastbolzen WH |
| 4 | 4DA-M23 Z | M-Beilage WH | 41 | 4HO-C61 Z | 6kt.-Schraube M12x65 |
| 5 | 4HW-B08 Z | Scheibe, groß Ø8,4 | 42 | 4HK-S01 | Silentblock |
| 6 | 4DA-H340 Z | M-Konsole WH | 43 | 4HW-D12 Z | Scheibe, dick Ø13 |
| 7 | 4HO-C19 Z | 6kt.-Schraube M8x45 | 44 | FWH-102 Z | Fahrachse WH |
| 8 | 4HO-A25 Z | 6kt.-Schraube M10x30 | 45 | 4KC-A03 Z | Stellring 20 |
| 9 | 4HW-F10 Z | Federring M10 | 46 | 4HO-G07 Z | Inbusschraube M6x12 |
| 10 | 4HW-D10 Z | Scheibe, dick Ø10,5 | 47 | 4DA-L33 Z | Stellscheibe |
| 11 | 4HW-B12 Z | Scheibe, groß Ø13 | 48 | 4KC-A149 Z | Nietmutter M10 |
| 12 | 4HO-C17 Z | 6kt.-Schraube M8x35 | 49 | 4HW-B10 Z | Scheibe, groß Ø10,5 |
| 13 | 4DA-i50 Z | Flanschplatte WH | 50 | 4HR-C10 Z | Stoppmutter M10 |
| 14 | 4HW-D08 Z | Scheibe, dick Ø8,4 | 51 | 4HW-P50 | Paßscheibe Ø20x1 |
| 15 | 4HR-C08 Z | Stoppmutter M8 | 52 | 4HW-A20 Z | Scheibe Ø21 |
| 16 | 4HO-A14 Z | 6kt.-Schraube M8x20 | 53 | 4HN-G30 | VG-Rad WH |
| 17 | 4KC-B67 X | Flanschlager EBS 20 | 54 | 4AZ-801 | Klappsplint 8/32 |
| 18 | FWH-100 R | Gehäuse WH | | | |
| 19 | 4HR-C05 Z | Stoppmutter M5 | | | |
| 20 | 4HW-B05 Z | Scheibe, groß Ø5,2 | | | |
| 21 | 4DA-G228 V | Rastmaske | | | |
| 22 | 4HO-G04 Z | Inbusschraube M5x20 | | | |
| 23 | 4HR-B08 Z | Mutter, flach M8 | | | |
| 24 | 4DC-D37 Z | Fangbügel | | | |
| 25 | 4HO-i15 Z | Schloßschr. M8x25 | | | |
| 26 | FWH-105 Z | Hebellager | | | |
| 27 | 4HZ-E25 Z | Splint Ø3,2x25 | | | |
| 28 | 4HW-A12 Z | Scheibe Ø13 | | | |
| 29 | 4HR-F06 | Blechmutter für Ø6,3 | | | |
| 30 | 4HZ-G25 Z | Splint Ø5x25 | | | |
| 31 | 4Hi-A08 Z | Zugfeder MS | | | |
| 32 | 4KC-A153 | Ringöse M6x20 | | | |
| 33 | 4HR-A06 Z | Mutter M6 | | | |
| 34 | FWH-104 | Höhen-Stellhebel | | | |
| 35 | 4HJ-G09 | Tauchgriff | | | |
| 36 | 4HW-B06 Z | Scheibe, groß Ø6,3 | | | |
| 37 | 4HR-C06 Z | Stoppmutter M6 | 4KE-WH Änd-Stand: c-April-2020 | | |

